

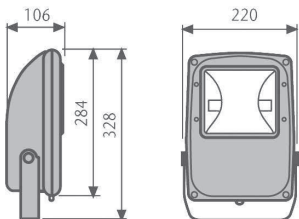


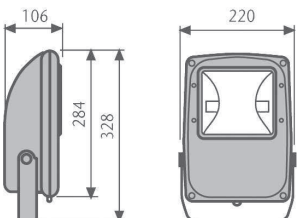

		<p><b>HIT-DE</b> OSRAM: HQI-TS, HCI-TS PHILIPS: MHN-TD, CDM-TD <b>RX7s</b></p> <p><b>HST-DE</b> OSRAM: NAV-TS PHILIPS: - <b>RX7s</b></p> <p><b>HIT-CE</b> OSRAM: HCI-T PHILIPS: CDM-T <b>G12</b></p> <p>Die cast aluminium body coated. Symmetrical peened reflector for medium- wide beam and specular reflector for medium-narrow beam.</p>		<p><b>MACH 2 Symmetrical</b></p> 	
				<b>PRICE LIST</b>			
<b>CODE</b>	<b>DESCRIPTION</b>	<b>COLOUR</b>	<b>Conventional Control Gear &amp; Capacitor</b>				
71131	For metal halide lamp or high pressure sodium lamp <b>Wide beam</b> 1x70W HIT-DE or HST-DE / Rx7s	White, Black, Titan					
71151	1x35W HIT-CE / G12	White, Black, Titan					
71152	1x70W HIT-CE / G12	White, Black, Titan					
71141	<b>Narrow beam</b> 1x70W HIT-DE or HST-DE / Rx7s	White, Black, Titan					

				<p><b>HIT-DE</b> OSRAM: HQI-TS, HCI-TS PHILIPS: MHN-TD, CDM-TD <b>RX7s</b></p> <p><b>HST-DE</b> OSRAM: NAV-TS PHILIPS: - <b>RX7s</b></p> <p><b>HIT-CE</b> OSRAM: HCI-T PHILIPS: CDM-T <b>G12</b></p> <p>Die cast aluminium body coated. Asymmetrical peened reflector for medium- wide beam and specular reflector for medium-narrow beam.</p>		<p><b>MACH 2 Asymmetrical</b></p> 	
				<b>PRICE LIST</b>			
<b>CODE</b>	<b>DESCRIPTION</b>	<b>COLOUR</b>	<b>Conventional Control Gear &amp; Capacitor</b>				
71161	For metal halide lamp or high pressure sodium lamp <b>Wide beam</b> 1x70W HIT-DE or HST-DE / Rx7s	White, Black, Titan					
71181	1x35W HIT-CE / G12	White, Black, Titan					
71182	1x70W HIT-CE / G12	White, Black, Titan					
71171	<b>Narrow beam</b> 1x70W HIT-DE or HST-DE / Rx7s	White, Black, Titan					

				<p><b>HIT-DE</b> OSRAM: HQI-TS, HCI-TS PHILIPS: MHN-TD, CDM-TD <b>RX7s</b></p> <p><b>HST-DE</b> OSRAM: NAV-TS PHILIPS: - <b>RX7s</b></p> <p><b>HIT-CE</b> OSRAM: HCI-T PHILIPS: CDM-T <b>G12</b></p> <p>Die cast aluminium body coated. Circular reflector glazed with medium-narrow beam completed baffle to avoid direct glare and super bright with narrow-beam at highest intensity.</p>		<p><b>MACH 2 Circular</b></p> 	
				<b>PRICE LIST</b>			
<b>CODE</b>	<b>DESCRIPTION</b>	<b>COLOUR</b>	<b>Conventional Control Gear &amp; Capacitor</b>				
71191	For metal halide lamp or high pressure sodium lamp <b>Medium Narrow beam</b> 1x70W HIT-DE or HST-DE / Rx7s	White, Black, Titan					
71201	1x35W HIT-CE / G12	White, Black, Titan					
71202	1x70W HIT-CE / G12	White, Black, Titan					

**Colour Codes:**

- 1 White 2 Titan 3 Black 4 Chrome 5 matt Alum. 6 Gold 7 matt Gold 8 Bronze 9 Anodized