

**SLIM 5**

---



---

Slim is a professional ceiling luminaire available also in wall and suspension version. It is an efficient instrument which guarantees a minimal visual impact and an excellent soft and uniform luminosity with low energy consumption. It is available with 1 or 2 fluorescent lamps T16. The IP65 protection allows even external use. Applicable to light buildings, residential and industrial areas, internal churches or houses with particular decorative ceilings, adaptable to various architectural geometries.

### Technical Features

---

- Aluminium body.
- High purity aluminium reflector.
- Tempered glass.
- Silicone gaskets.
- Hooks and brackets in stainless steel.
- Double nickel brass IP65 cable gland.
- Long duration in time event in particular sea salt and humidity conditions.

SLIM 5

SLIM 5



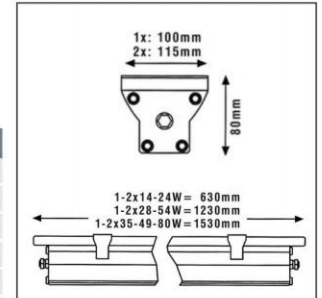
CE F E IP 65

OSRAM: T5 PHILIPS: T5

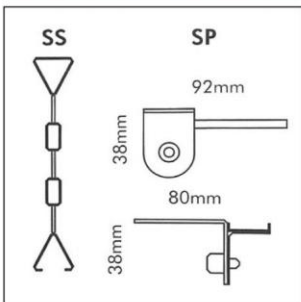
Included

- Aluminium body.
- High purity aluminium reflector.
- Tempered glass.
- Hooks and brackets in stainless steel.

Code	Description	Kg
852635	SLIM 5 1x14W T16	
852645	SLIM 5 2x14W T16	
852655	SLIM 5 1x24W T16	
852665	SLIM 5 2x24W T16	
852675	SLIM 5 1x28W T16	
852685	SLIM 5 2x28W T16	
852735	SLIM 5 1x54W T16	
852745	SLIM 5 2x54W T16	
852695	SLIM 5 1x35W T16	
852705	SLIM 5 2x35W T16	
852715	SLIM 5 1x49W T16	
852725	SLIM 5 2x49W T16	
852755	SLIM 5 1x80W T16	
852765	SLIM 5 2x80W T16	



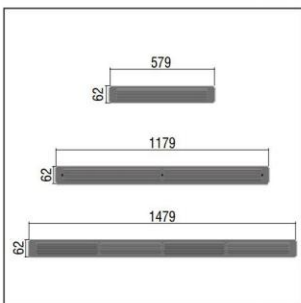
SLIM 3 - ACCESSORIES



CE

- Stainless steel brackets.

Code	Description	Kg
805501	Suspension kit for 1-lamp luminaire SS 1x... (2 pieces set)	
805502	Suspension kit for 2-lamp luminaire SS 2x... (2 pieces set)	
805503	Bracket arm for wall mounting from stainless steel for 1-lamp luminaire SP 1x...	
805504	Bracket arm for wall mounting from stainless steel for 2-lamp luminaire SP 2x...	



CE

- Aluminium blinds.

Code	Description	Kg
805505	Blinds Slim5 14/24W	
805506	Blinds Slim5 28/54W	
805507	Blinds Slim5 35/49/80W	