

LED MINI



LED MINI embodies minimal design and LED technology. It blends effortlessly into any interior design scheme.

Technical Features

- Die-cast aluminium body.
- Plastic outer casing.
- Long life without maintenance.
- Opal or clear protected glass.
- Operation life: 50,000 hours with efficiency > 70% of the initial luminous flux.

- Connection for operation at 12V with conventional or electronic transformer.

LED MINI

LED MINI SEMI CIRCULAR



CE F IP 65

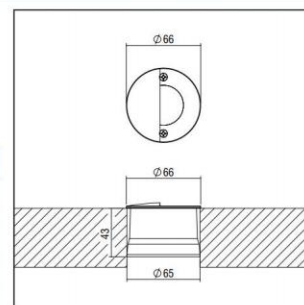
LED

ta 25°C

12V AC

- Aluminium body.
- Opal protective glass.
- Power consumption 1,6W - LED 5x...
- Body colour inox.

Code	Description	Kg
851115	LED MINI SEMI CIRCULAR White	0,250
851125	LED MINI SEMI CIRCULAR Red	0,250
851135	LED MINI SEMI CIRCULAR Blue	0,250
851145	LED MINI SEMI CIRCULAR Green	0,250
851155	LED MINI SEMI CIRCULAR Yellow	0,250



- For installation in false ceiling, the LED includes hook support Code: 805201

LED MINI CLEAR GLASS



CE F IP 65

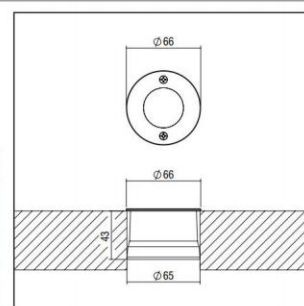
LED

ta 25°C

12V AC

- Aluminium body.
- Clear protective glass.
- Power consumption 1,6W - LED 9x...
- Body colour inox.

Code	Description	Kg
851265	LED MINI CLEAR GLASS White	0,250
851275	LED MINI CLEAR GLASS Red	0,250
851285	LED MINI CLEAR GLASS Blue	0,250
851295	LED MINI CLEAR GLASS Green	0,250
851305	LED MINI CLEAR GLASS Yellow	0,250



- For installation in false ceiling, the LED includes hook support Code: 805201

LED MINI OPAL GLASS



CE F IP 65

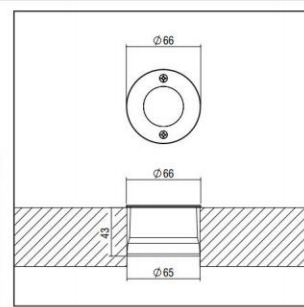
LED

ta 25°C

12V AC

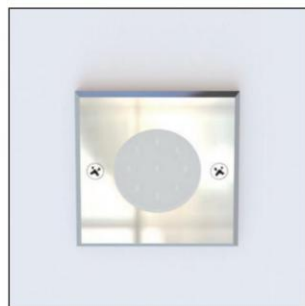
- Aluminium body.
- Opal protective glass.
- Power consumption 1,6W - LED 9x...
- Body colour inox.

Code	Description	Kg
851215	LED MINI OPAL GLASS White	0,250
851225	LED MINI OPAL GLASS Red	0,250
851235	LED MINI OPAL GLASS Blue	0,250
851245	LED MINI OPAL GLASS Green	0,250
851255	LED MINI OPAL GLASS Yellow	0,250



- For installation in false ceiling, the LED includes hook support Code: 805201

LED MINI SQUARE OPAL GLASS



CE F IP 65

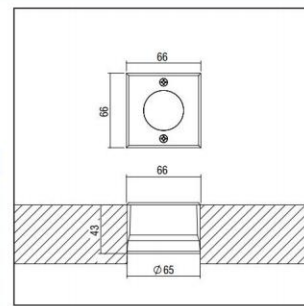
LED

ta 25°C

12V AC

- Aluminium body.
- Opal protective glass.
- Power consumption 1,6W - LED 9x...
- Body colour inox.

Code	Description	Kg
851015	LED MINI SQUARE OPAL GLASS White	0,250
851025	LED MINI SQUARE OPAL GLASS Red	0,250
851035	LED MINI SQUARE OPAL GLASS Blue	0,250
851045	LED MINI SQUARE OPAL GLASS Green	0,250
851055	LED MINI SQUARE OPAL GLASS Yellow	0,250



- For installation in false ceiling, the LED includes hook support Code: 805201

LED MINI

LED MINI 2 WINDOWS



CE F IP 65

LED

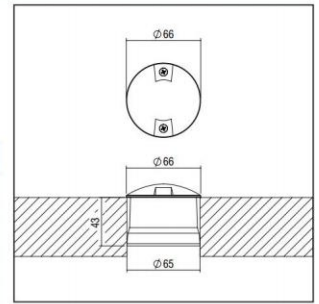
Blue Chip LED

ta 25°C

12V AC

- Aluminium body.
- Power consumption 1,6W - LED 4x...
- Body colour inox.

Code	Description	Kg
851065	LED MINI 2 WINDOWS White	0,250
851075	LED MINI 2 WINDOWS Red	0,250
851085	LED MINI 2 WINDOWS Blue	0,250
851095	LED MINI 2 WINDOWS Green	0,250
851105	LED MINI 2 WINDOWS Yellow	0,250



- For installation in false ceiling, the LED includes hook support Code: 805201

LED MINI 8 WINDOWS



CE F IP 65

LED

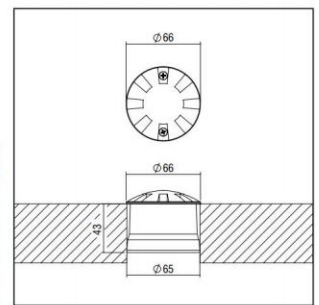
Blue Chip LED

ta 25°C

12V AC

- Aluminium body.
- Power consumption 1,6W - LED 8x...
- Body colour inox.

Code	Description	Kg
851165	LED MINI 8 WINDOWS White	0,250
851175	LED MINI 8 WINDOWS Red	0,250
851185	LED MINI 8 WINDOWS Blue	0,250
851195	LED MINI 8 WINDOWS Green	0,250
851205	LED MINI 8 WINDOWS Yellow	0,250



- For installation in false ceiling, the LED includes hook support Code: 805201

TRANSFORMER 12V AC		
DESCRIPTION	WATT	CODE
MAGNETIC	1-50W	800001