

PLEXI LINE

With its geometrical shape and its uniformly illuminated opal cover, Plexi Line gives the impression of an almost immaterial luminaire integrated in the ceiling. It is available in three dimensions and, for more accent lighting, it can be combined with QR111 or GU10 modules.

Technical Features

- Steel body, painted electrostatically in white colour.
- Aluminium spot base, painted electrostatically in selected colour.
- Opal plexi glass cover (for PLEXI LINE 300, 400, 640 editions).
- Connection for operation on 230V-50/60Hz (PAR 16) and with electronic ballast (lamps T16, T16-R).
- Connection for operation at 12V with electronic transformer (lamp QR111).

Upon Request

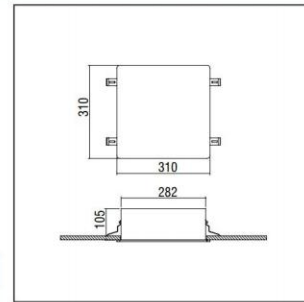
- Connection for operation on 230V-50/60Hz with dimmer dali or 1-10VDC ballast.

PLEXI LINE

PLEXI LINE 300

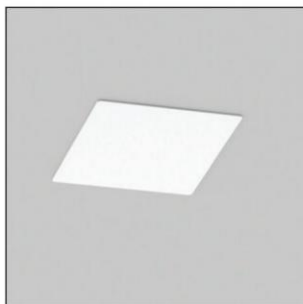


- Version for T16-R/2GX13.
- High efficient opal plexiglass cover.

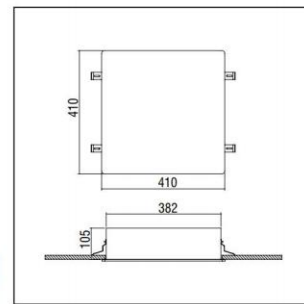


Code	Description
82212711	Plexi Line 300 1x22W

PLEXI LINE 400

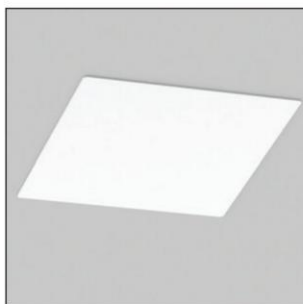


- Version for T16-R/2GX13.
- High efficient opal plexiglass cover.

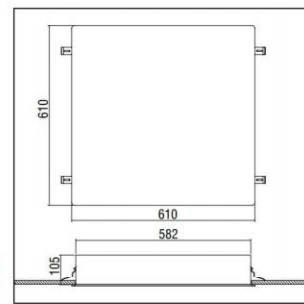


Code	Description
82212811	Plexi Line 400 1x55W

PLEXI LINE 640



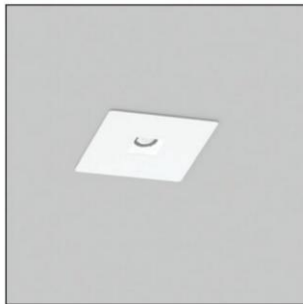
- Version for T16/G5.
- High efficient opal plexiglass cover.



Code	Description
82211411	Plexi Line 640 4x24W

PLEXI LINE

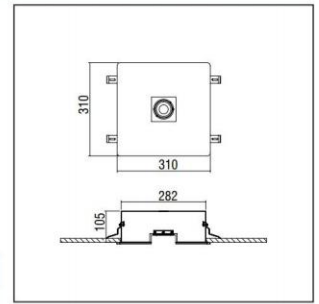
PLEXI LINE MODULE 300



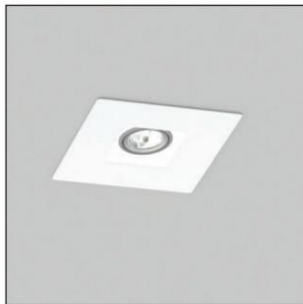
CE	F	⊕	IP 20
T16-R 2GX13	PAR 16 GU10		Included

- Version for T16-R/2GX13, PAR 16/GU10.
- High efficient opal plexiglass cover.
- Aluminium spot base, painted electrostatically in selected colour.

Code	Description
82223011	Plexi Line Module 300 1x22W + 1xGU10



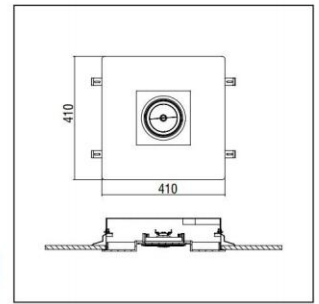
PLEXI LINE MODULE 400



CE	F	⊕	IP 20
T16-R 2GX13	QR111 G53		Included

- Version for T16-R/2GX13, QR111/G53.
- High efficient opal plexiglass cover.
- Aluminium spot base, painted electrostatically in selected colour.

Code	Description
82223211	Plexi Line Module 400 1x55W + 1xQR111



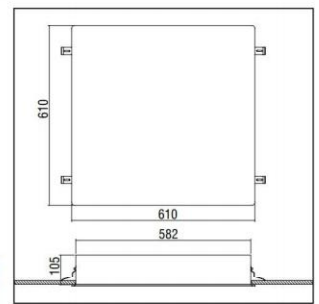
PLEXI LINE MODULE 640



CE	F	⊕	IP 20
T16 G5	QR111 G53		Included

- Version for T16/G5, QR111/G53.
- High efficient opal plexiglass cover.
- Aluminium spot base, painted electrostatically in selected colour.

Code	Description
82222611	Plexi Line Module 640 4x24W + 1xQR111



PLEXI LINE

