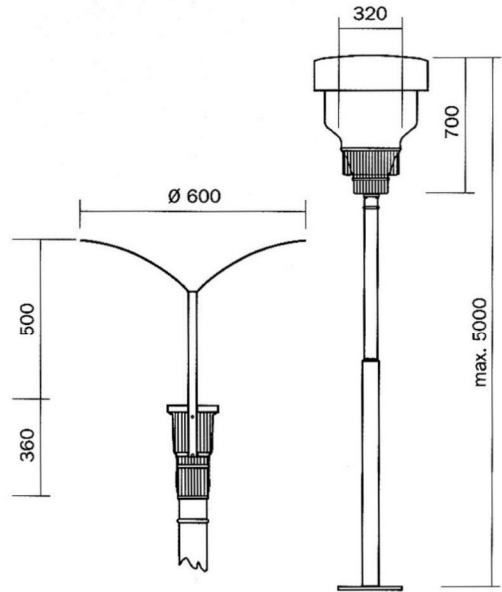


VEIL



Technical Features

- Projector made of die-cast aluminium.
- Flow recuperator from curved-shape aluminium.

			IP 65
HIT-DE/RX7s-24			
OSRAM H&L H&L			
PHILIPS H&L H&L			

**Colour Codes:**

<u>1</u>	White	<u>2</u>	Titan	<u>3</u>	Black
----------	-------	----------	-------	----------	-------

Code	Description
84950_	11106 1x150W HIT-DE / RX7s-24