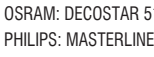
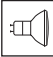



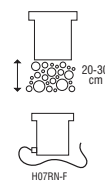
 OSRAM: DECOSTAR 51  PHILIPS: MASTERLINE  PAR 16		FLOORING INOX	
		<ul style="list-style-type: none"> • Ring (flange) thickness 6mm from AISI 316 stainless steel. • Housing in AISI 304 stainless steel. • Tempered protection glass 5mm. 				  	
						PRICE LIST	
CODE	DESCRIPTION			T	COLOUR	Without Transformer	
842125	261050	1x max. 35W	QR-CBC 51 / GU5.3	117°C	Inox		+ Transformer Selection 12V
842015	261050	GU10 1x35W	PAR16 / GU10	117°C	Inox		
			or LED / GU10	45°C	Inox		


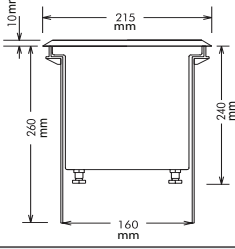


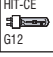






T Glass surface temperature.

Resistance to static load: max 1.000kg



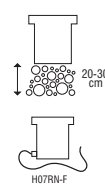
For the proper installation of the fitting an effective drainage as well as a 20-30 cm deep layer of gravel must be intended for dewatering.

To ensure the degree of protection is required the use of flexible power supply cables like the class H07RN-F or similar.

				 OSRAM: HQI-TS, HCI-TS  PHILIPS: MHN-TD, CDM-TD  OSRAM: HCI-T  PHILIPS: CDM-T		 OSRAM: NAV-TS  PHILIPS: -		FLOORING INOX	
		<ul style="list-style-type: none"> • Ring (flange) thickness 11mm from AISI 316 stainless steel. • Housing in AISI 304 stainless steel. • Tempered protection glass 12mm, available in silkscreen or satin. 				  			
						PRICE LIST			
CODE	DESCRIPTION			T	COLOUR	Conventional Control Gear & Capacitor			
842025	262107	1x70W	HIT-DE or HST-DE / RX7s	145°C	Inox				
842035	262135	1x35W	HIT-CE / G12	130°C	Inox				
	With Satin Glass								
842135	262107VS	1x70W	HIT-DE or HST-DE / RX7s	145°C	Inox				
842145	262135VS	1x35W	HIT-CE / G12	130°C	Inox				

T Glass surface temperature.

Resistance to static load: max 2.000kg



For the proper installation of the fitting an effective drainage as well as a 20-30 cm deep layer of gravel must be intended for dewatering.

To ensure the degree of protection is required the use of flexible power supply cables like the class H07RN-F or similar.