


OSRAM: DULUX L
PHILIPS: PL-L


Housing in pressed aluminium.
Flow **recuperator** in specular aluminium non-iridescent.

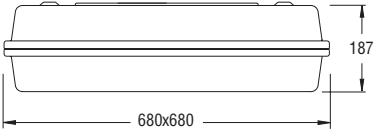
IP43: without glass
IP64: transparent tempered glass

3F CUB



PRICE LIST			
CODE	DESCRIPTION	COLOUR	Electronic Ballast & Lamps
3F 5600	Wide flow recuperator 3F CUB R90 4x55 TC-L / 2G11 5600	White	
3F 5601	3F CUB R90 6x55 TC-L / 2G11 5601	White	
3F 5606	Concentrated flow recuperator 3F CUB R90 4x55 CONC TC-L / 2G11 5606	White	
3F 5610	Wide flow recuperator 3F CUB 4x55 VT IP64 TC-L / 2G11 5610	White	
3F 5612	Concentrated flow recuperator 3F CUB 4x55 CONC VT IP64 TC-L / 2G11 5612	White	






OSRAM: DULUX L
PHILIPS: PL-L

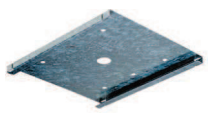
Housing in pressed aluminium.
COM parabolic **louvre** in specular aluminium non-iridescent, with white painted transverse blades closed at the top.

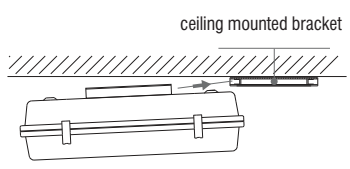
IP43: without glass
IP64: transparent tempered glass

3F CUB COM



PRICE LIST			
CODE	DESCRIPTION	COLOUR	Electronic Ballast & Lamps
3F 45500	3F CUB 4x55 CR COM TC-L / 2G11 45500	White	
3F 45505	3F CUB 4x55 CR COM VT IP64 TC-L / 2G11 45505	White	
3F 45509	3F CUB 4x55 CR COM VT IP64 TC-L / 2G11 45505	White	






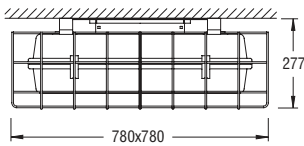
ceiling mounted bracket

Ceiling-mounted bracket in hot-galvanized steel, spaces the 3F Cub from the ceiling by 60mm.
Code **0213**

3F CUB & 3F CUB COM - ACCESSORIES
CEILING-MOUNTED BRACKET

PRICE LIST		
CODE	DESCRIPTION	DESCRIPTION
3F 0213	CEILING-MOUNTED BRACKET	0213





ceiling mounted bracket

Wire-guard for applications in dry environments, against shocks coming from any directions, in galvanized steel rod $\varnothing 5\text{mm}$. Code **0210**. To install it, ceiling-mounted bracket code 0213 is always necessary.

3F CUB & 3F CUB COM - ACCESSORIES
WIRE-GUARD

PRICE LIST		
CODE	DESCRIPTION	DESCRIPTION
3F 0210	WIRE-GUARD	0210