

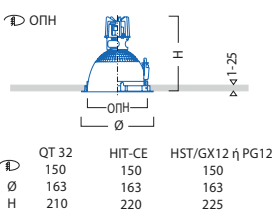
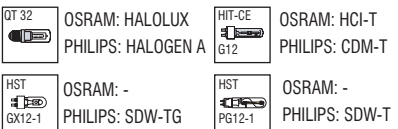


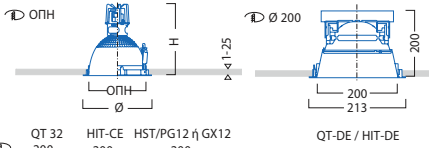

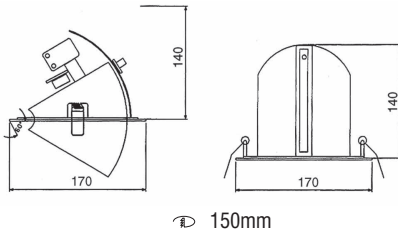
		<p><b>PANOS M 100</b> (DOWNLIGHTS)</p>	
<p>Smooth reflector made of highest-grade aluminium, anodised in a bright satin finish, structured upper part.</p>							
				<b>PRICE LIST</b>			
CODE	DESCRIPTION	COLOUR	Without control gear				
ZS 60810989	PANOS M 100 1x20W HIT-TC-CE / PGJ5 60 810 989	White			+ Control Gear Selection		
ZS 60810320	PANOS M 100 1x35W HIT-TC-CE / G8,5 60 810 320	White			+ Control Gear Selection		
ZS 60800126	<b>Blocking Filter</b> UVA HIT-TC-CE 60 800 126						

						<p><b>PANOS M 150</b> (DOWNLIGHTS)</p>	
<p>Smooth reflector made of highest-grade aluminium, anodised in a bright satin finish, structured upper part.</p>							
				<b>PRICE LIST</b>			
CODE	DESCRIPTION	COLOUR	Without control gear				
ZS 60810333	PANOS M 150 1x100W QT 32 / E27 60 810 333	White					
ZS 60810336	PANOS M 150 1x70W HIT-CE / G12 60 810 336	White			+ Control Gear Selection		
ZS 60810345	PANOS M 150 1x100W HST / GX12-1 60 810 345	White			+ Control Gear Selection		
ZS 60810346	PANOS M 150 1x100W HST / PG12-1 60 810 346	White			+ Control Gear Selection		
ZS 60810335	PANOS M 150 1x150W HIT-CE / G12 60 810 335	White			+ Control Gear Selection		
ZS 60800127	<b>Blocking Filter</b> UVA HIT-CE / G12 60 800 127						

Note: The preceding luminaires are also available in **TITAN** colour with **10%** extra charge on the price list.

				<p>QT-DE12 R7s OSRAM: HALOLINE PHILIPS: PLUSLINE</p> <p>HIT-CE G12 OSRAM: HCI-T PHILIPS: CDM-T</p> <p>HST GX12-1 OSRAM: - PHILIPS: SDW-TG</p>	<p>QT 32 OSRAM: HALOLUX PHILIPS: HALOGEN A</p> <p>HIT-DE RX7s OSRAM: HQI-TS, HCI-TS PHILIPS: MHN-TD, CDM-TD</p> <p>HST PG12-1 OSRAM: - PHILIPS: SDW-T</p>	<p><b>PANOS M 200</b> (DOWNLIGHTS)</p> <p>CE F 850°C</p>	
		<p>QT 32 HIT-CE HST/PG12 η GX12</p> <p>∅ 200 200 200</p> <p>H 210 250 225</p> <p>QT-DE / HIT-DE</p>		<p><b>PRICE LIST</b></p>			
CODE	DESCRIPTION	COLOUR	Without control gear				
ZS60810362	PANOS M 200 1x200W QT-DE 12 / R7s 60 810 362	White					
ZS60810348	PANOS M 200 1x250W QT 32 / E27 60 810 348	White					
ZS60810351	PANOS M 200 1x70W HIT-CE / G12 60 810 351	White		+ Control Gear Selection			
ZS60810364	PANOS M 200 1x70W HIT-DE / RX7s 60 810 364	White		+ Control Gear Selection			
ZS60810360	PANOS M 200 1x100W HST / GX12-1 60 810 360	White		+ Control Gear Selection			
ZS60810361	PANOS M 200 1x100W HST / PG12-1 60 810 361	White		+ Control Gear Selection			
ZS60810350	PANOS M 200 1x150W HIT-CE / G12 60 810 350	White		+ Control Gear Selection			
ZS60810363	PANOS M 200 1x150W HIT-DE / RX7s-24 60 810 363	White		+ Control Gear Selection			
<b>Blocking Filter</b>							
ZS60800131	IR/UVA HIT-DE / RX7s 60 800 131						
ZS60800128	UVA HIT-CE / G12 60 800 128						
ZS60800129	UVA HIT-DE / RX7s 60 800 129						

Note: The preceding luminaires are also available in **TITAN** colour with **10%** extra charge on the price list.

				<p>HIT-CE G12 OSRAM: HCI-T PHILIPS: CDM-T</p>	<p><b>TONDO ORIENTABILE 170</b> (DOWNLIGHTS)</p> <p>CE F IP 23</p>	
		<p>∅ 150mm</p>		<p>• Die-cast aluminium body and ring. • Matt aluminium reflector.</p>		
CODE	DESCRIPTION	COLOUR	Without control gear			
881151	1x 35W HIT-CE / G12	White		+ Control Gear Selection		
881151	1x 70W HIT-CE / G12	White		+ Control Gear Selection		
881151	1x150W HIT-CE / G12	White		+ Control Gear Selection		
881152	1x 35W HIT-CE / G12	Titan		+ Control Gear Selection		
881152	1x 70W HIT-CE / G12	Titan		+ Control Gear Selection		
881152	1x150W HIT-CE / G12	Titan		+ Control Gear Selection		