

MINI APPLIQUES



Surface wall mounted luminaire with led chip, ideal for a wide range of indoor applications. Available in four different shapes. It is suitable for areas where soft illumination and more architectural style is required.

Technical Features

- Aluminium body, painted electrostatically in selected colour.
- Steel mounting base.
- PMMA cover.
- Connection for operation with 230V/50Hz.
- 4W with 400 Lumen for each module.
- Operation life: 50,000 hours with efficiency > 70% of the initial luminous flux.

MINI APPLIQUES

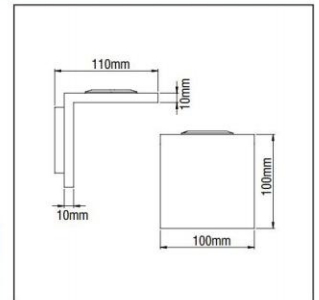
GEA



CE	F	IP 40
LED		

- For Led chip.
- Aluminium body.
- Satin PMMA cover.
- 230V/50Hz.

Code	Description	Kg
85827	Gea 1x4W Warm	
85828	Gea 1x4W Neutral	



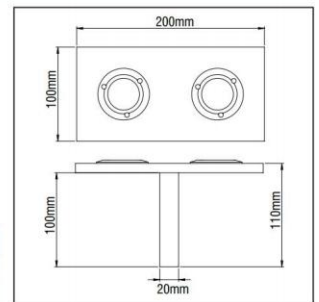
DIONI



CE	F	IP 40
LED		

- For Led chip.
- Aluminium body.
- Satin PMMA cover.
- 230V/50Hz.

Code	Description	Kg
85829	Dioni 2x4W Warm	
85830	Dioni 2x4W Neutral	



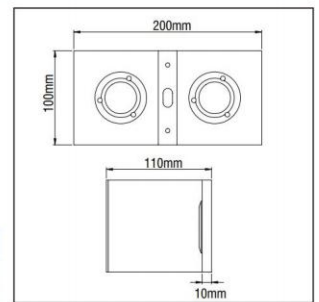
FIVI



CE	F	IP 40
LED		

- For Led chip.
- Aluminium body.
- Satin PMMA cover.
- 230V/50Hz.

Code	Description	Kg
85831	Fivi 2x4W Warm	
85832	Fivi 2x4W Neutral	



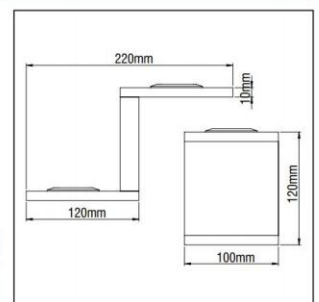
IRO



CE	F	IP 40
LED		

- For Led chip.
- Aluminium body.
- Satin PMMA cover.
- 230V/50Hz.

Code	Description	Kg
85833	Iro 2x4W Warm	
85834	Iro 2x4W Neutral	



Colour Codes:

0 Colours 1 White 2 Titan 3 Black