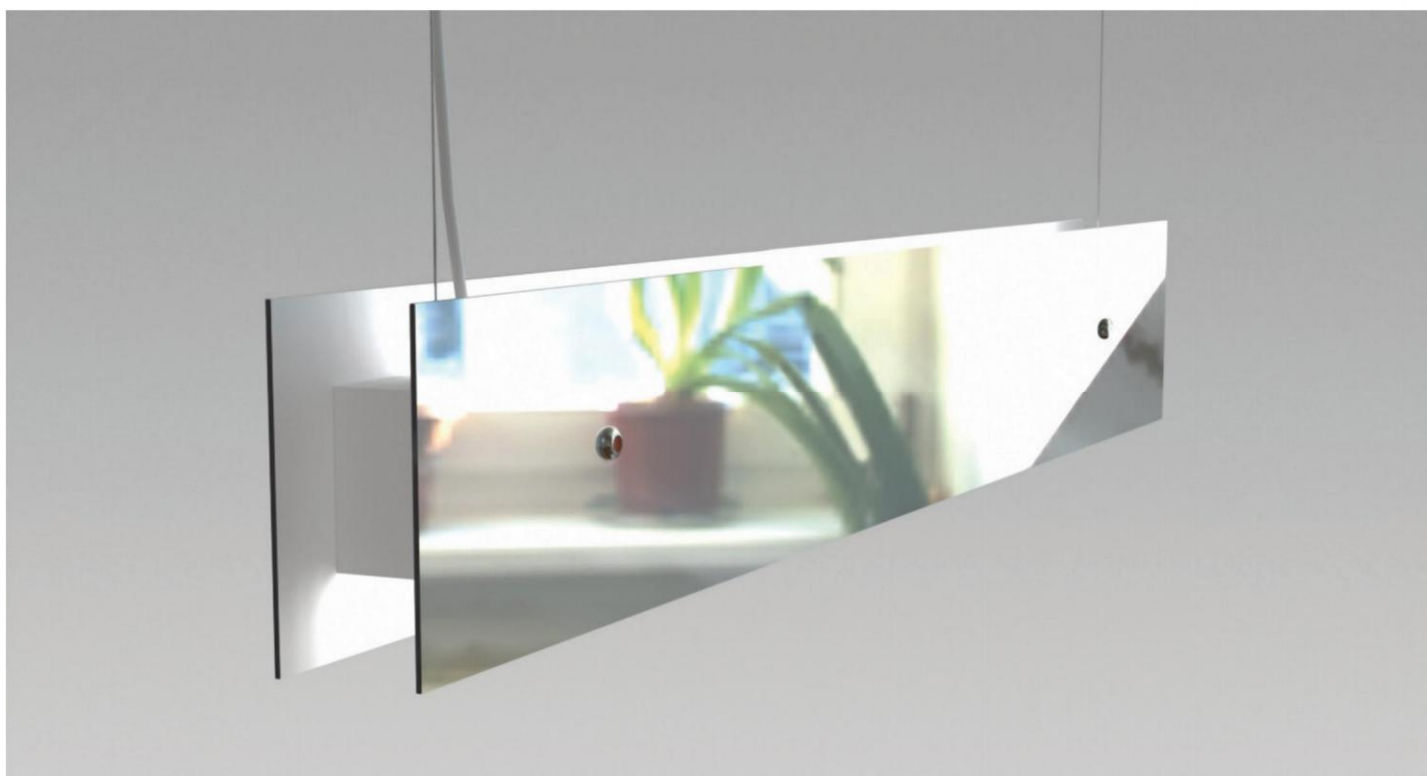


BINARIO

A linear suspended luminaire with impressive design. This luminaire is ideal for applications where diffuse direct – indirect lighting is needed.

Technical Features

- Body of aluminum profile, painted electrostatically in selected colour.
- Side aluminium foil, painted electrostatically in selected colour, or mirror selection.
- High efficient diffuser in opal PMMA.
- Flow recuperator in white colour.
- Adjustable suspension consisting of stainless steel cable and regulators.
- Connection for operation on 230V-50/60Hz with electronic ballast.

Upon Request

- Connection for operation on 230V-50/60Hz with dimmer dali or 1-10VDC ballast.

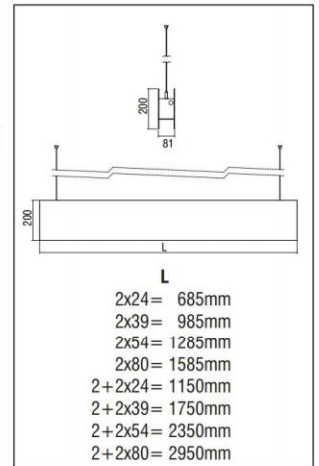
BINARIO

BINARIO



- Version for T16/G5.
- Side aluminium foil.

Code	Description
95104	Binario 2x24W
95105	Binario 2x39W
95106	Binario 2x54W
95107	Binario 2x80W
95108	Binario 2+2x24W
95109	Binario 2+2x39W
95110	Binario 2+2x54W
95111	Binario 2+2x80W



Colour Codes:

- 0 Colours
 1 White
 2 Titan

BINARIO MIRROR



- Version for T16/G5.
- Mirror side.

Code	Description
951150	BINARIO MIRROR 39W + 54W
951160	BINARIO MIRROR 54W + 80W

