

TOP POLE / SPOT FLOOD AN-CN / TERRA (SMALL-BIG)

TOP POLE



CE	F	IP 44
HME	HSE	QB
OSRAM: HGL PHILIPS: WPL	OSRAM: HSE-E1 PHILIPS: SON	OSRAM: HVL PHILIPS: ML

- Base made of die-cast aluminium, painted electrostatically in titan colour.
- Cover made of aluminium sheet, painted electrostatically in titan colour.
- Opal methacrylate lateral cover (bowl).
- Connection for operation on 230V/50Hz, with power factor correction capacitor.

Description	Ø	HEIGHT	Without Control Gear Code	Conventional Control Gear & Capacitor Code
<b>For high pressure mercury vapour lamps</b>				
331x 80W HME / E27500	590			731012
331x125W	HME / E27	500	590	731022
331x250W	HME / E40	500	590	731032
<b>For high pressure sodium lamps</b>				
331x 70W	HSE / E27	500	590	731072
331x150W	HSE / E40	500	590	731092
331x251W	HSE / E40	590	690	731102
<b>For self ballasted lamp</b>				
331x160W	QB / E27	500	590	731120

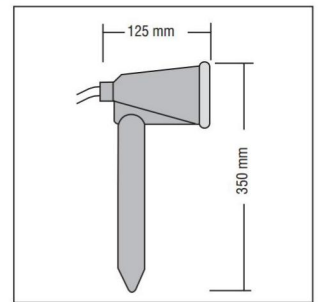
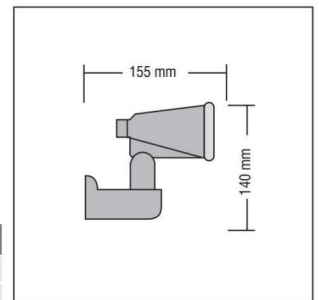
SPOT FLOOD AN / CN



CE	F	IP 54
PAR 38		

- Body made of die-cast aluminium, painted electrostatically in black colour.
- AN: Base made of thermoplastic material
- CN: Base made of galvanized steel

Code	Description
841053	SPOT FLOOD AN
841063	SPOT FLOOD CN



TERRA (SMALL / BIG)



CE	F	IP 65
PAR 16	PAR 38	LED

- Aluminium body painted electrostatically in atracrite colour.
- Transparent tempered glass.
- Wall-mounting or direct ground installation with the use of a picket.
- Connection for operation on 230V.

Code	Description
841092	TERRA SMALL 1x50W PAR16 or 5W LED / GU10 33037
841102	TERRA BIG 1 x max. 80W PAR38 / E27 33044

