

## TEO MINI



TEO mini is a recessed round adjustable spot with elegant design. It can satisfy multiple lighting requirements thanks to its wide variety of editions, and it highlights impressively premises, such as shopping malls, stores, hotels, exhibition halls, museums etc.

A LED version is also available and it is guaranteed by the use of last generation light sources, which ensure excellent performance with maximum energy efficiency. This, in combination with an efficient thermal management, makes TEO mini a warranty for premium lighting with LED technology.

## Technical Features

- Body from die-cast aluminium, painted electrostatically in selected colour or plated.
- Adjustable die-cast aluminium ring, painted electrostatically in selected colour or plated.
- Inner die-cast aluminium ring for easy lamp replacement.
- High pure aluminium reflectors in Spot, Medium, Wide versions.
- Tempered protection glass for HIT-TC-CE edition.
- Easy mounting with clips.

**Upon request:**

Available with highest colour rendering index (CRI)

**For LED Version**

- Pure light without IR/UV radiation.
- 7W up to 10,5W wattage range and 720 up to 1140 luminous flux range.
- Aluminum heatsink anodized.
- Operation life: 50,000 hours with efficiency > 70% of the initial luminous flux.
- Connection for operation with Constant Current.

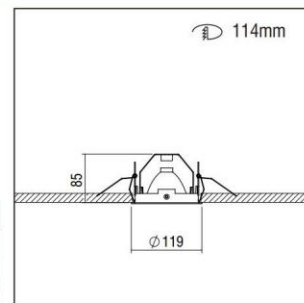
TEO MINI

TEO MINI - HIT-TC-CE



- Version for HIT-TC-CE/GU6,5.
- Reflector: Spot, Medium, Wide.
- Tempered protection glass.

Code	Description	Kg
86896	TEO MINI HIT-TC-CE/GU6,5 SPOT	0,250
86897	TEO MINI HIT-TC-CE/GU6,5 MEDIUM	0,250
86898	TEO MINI HIT-TC-CE/GU6,5 WIDE	0,250

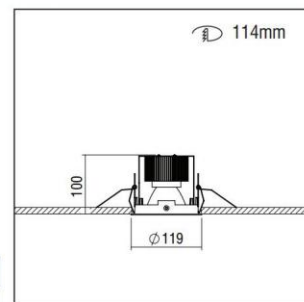


TEO MINI - LED REFLECTOR



- Reflectors: Spot, Medium, Wide.
  - 7W power consumption driven at 350mA.
  - 10,5W power consumption driven at 500mA.
  - Efficiency:
- 7W: 4000 K: 810 Lumen, CRI: min. 80, 116 Lm/W  
 7W: 3000 K: 720 Lumen, CRI: min. 80, 103 Lm/W  
 10,5W: 4000 K: 1140 Lumen, CRI: min. 80, 109 Lm/W  
 10,5W: 3000 K: 1000 Lumen, CRI: min. 80, 95 Lm/W  
 Maximum: 118 Lm/W

Code	Description	Kg
86357	TEO MINI LED REFLECTOR	0,350

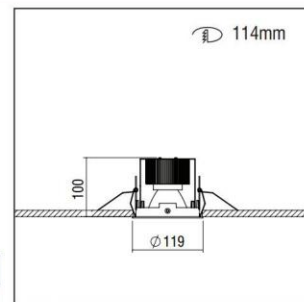


TEO MINI - LED REFLECTOR HO



- Reflectors: Spot, Medium, Wide.
  - 7W power consumption driven at 350mA.
  - 10,5W power consumption driven at 500mA.
  - Efficiency:
- 7W: 4000 K: 810 Lumen, CRI: min. 80, 116 Lm/W  
 7W: 3000 K: 720 Lumen, CRI: min. 80, 103 Lm/W  
 10,5W: 4000 K: 1140 Lumen, CRI: min. 80, 109 Lm/W  
 10,5W: 3000 K: 1000 Lumen, CRI: min. 80, 95 Lm/W  
 Maximum: 118 Lm/W

Code	Description	Kg
86357	TEO MINI - LED REFLECTOR HO	0,350



LED COLOUR CODES:

2 Warm 3 Neutral

BEAM CODES:

00 diffuser 01 spot 02 medium 03 wide 04 spot HO 05 medium HO 06 wide HO

Colour Codes:

0 Colours 1 White 2 Titan 3 Black 4 Chrome 5 matt Alum.

TEO MINI

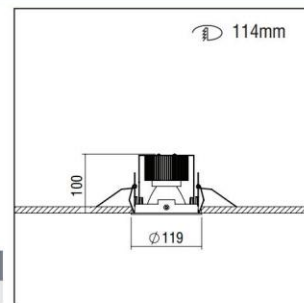
TEO MINI - LED SUN



850°C IP 20  
  

 ta 25°C

- Lens: Medium, Wide.
  - 7W power consumption driven at 350mA.
  - 10,5W power consumption driven at 500mA.
  - Efficiency:
- 7W: 4000 K: 810 Lumen, CRI: min. 80, 116 Lm/W  
 7W: 3000 K: 720 Lumen, CRI: min. 80, 103 Lm/W  
 10,5W: 4000 K: 1140 Lumen, CRI: min. 80, 109 Lm/W  
 10,5W: 3000 K: 1000 Lumen, CRI: min. 80, 95 Lm/W  
 Maximum: 118 Lm/W



Code	Description	Kg
86356	TEO MINI LED SUN	

LED COLOUR CODES:

2 Warm 3 Neutral

BEAM CODES:

00 diffuser 01 spot 02 medium 03 wide 04 spot HO 05 medium HO 06 wide HO

Colour Codes:

0 Colours 1 White 2 Titan 3 Black 4 Chrome 5 matt Alum.

DRIVERS

LED LUMINAIRES DESCRIPTION	N° Luminaires min. max.	DIMENSIONS mm	CODE	
TEO MINI GU6,5 20W	1 1	20W Electronic	498113	
TEO MINI GU6,5 35W	1 1	35W Electronic	498223	
TEO MINI LED 1x 7W	1 1	350mA 8W IP20 70 x 35 x 21	800020	
TEO MINI LED 2x 7W	1 2	350mA 15W IP20 160 x 22 x 19	800021	
TEO MINI LED 3x 7W	1 3	350mA 25W IP20 123 x 80 x 22	800041	
TEO MINI LED 1x 10,5W	1 1	500mA 12W IP20 120 x 35 x 19	800023	
TEO MINI LED 2x 10,5W	1 2	500mA 30W IP20 160 x 50 x 22	800030	
TEO MINI LED 3x 10,5W	1 3	500mA 32W IP20 123 x 80 x 22	800041	

DIMMER DRIVERS

LED LUMINAIRES DESCRIPTION	N° Luminaires min. max.	DIMMER TYPE	DIMENSIONS mm	CODE	
TEO MINI 1x, 2x 7W	1 2	350mA 15W IP20 1-10Vdc/Push Button	145 x 40 x 28	800040	
TEO MINI 3x 7W	1 3	350mA 25W IP20 1-10Vdc/Push Button*	123 x 80 x 22	800043	
TEO MINI 3x 7W	1 3	350mA 25W IP20 1-10Vdc/Push Button/Dali*	123 x 80 x 22	800042	
TEO MINI 1x, 2x 10,5W	1 2	500mA 22W IP20 1-10Vdc/Push Button	145 x 40 x 28	800040	
TEO MINI 3x 10,5W	1 3	500mA 32W IP20 1-10Vdc/Push Button*	123 x 80 x 22	800043	
TEO MINI 3x 10,5W	1 3	500mA 32W IP20 1-10Vdc/Push Button/Dali*	123 x 80 x 22	800042	

\* Please order synchronization cable for each dimmer driver separately - Code: 800044 (4m)



TEO MINI

