

NANO**NANO 3**

Nano 3 is a suspended luminaire with cylindrical shape. It's elegant minimal design raises the architectural interest, while its LED source ensures excellent performance with maximum energy efficiency. It can be produced with different heights upon request. It is the perfect choice for reception halls, bars, restaurants, houses etc.

NANO 6

Nano 6 is a surface mounted or suspended luminaire with cylindrical shape. It's elegant minimal design raises the architectural interest, while the fact that it can be produced in several heights upon request makes it the perfect choice for reception halls, bars, restaurants, houses etc.

NANO applique

Nano is an minimal applique with LED source. It is ideal for hotels, reception halls, bars, restaurants, houses etc.

Technical Features

- Body from aluminium profile painted electrostatically in selected colour or plated.
- Mounting base from aluminium, painted electrostatically in selected colour or plated.

Upon request:

Available with highest colour rendering index (CRI)

For LED Version

- Pure light without IR/UV radiation.
- Operation life: 50,000 hours with efficiency > 70% of the initial luminous flux.
- Connection for operation with Constant Current.

NANO

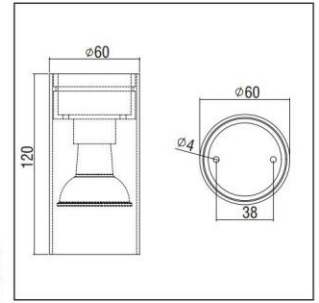
NANO 6 - SURFACE



CE	F	850°C	IP 20
PAR 16	LED	FLUO	

- Version for PAR 16/GU10.
- Aluminium body.
- 230V/50Hz.

Code	Description	Kg
88054	NANO 6 1x50W PAR16 (LED, FLUO) / GU10	0,270



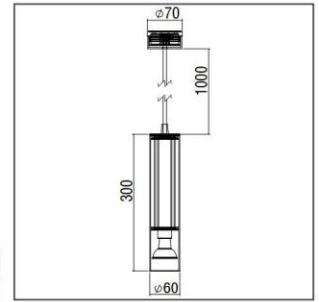
NANO 6 - PENDANT



CE	F	850°C	IP 20
PAR 16	LED	FLUO	

- Pendant version for PAR 16/GU10.
- Aluminium body.
- 230V/50Hz.

Code	Description	Kg
88055	NANO 6 1x50W PAR16 (LED, FLUO) / GU10	0,820



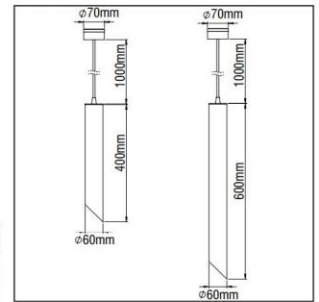
NANO 6 AS - PENDANT



CE	F	850°C	IP 20
PAR 16	LED	FLUO	

- Pendant version for PAR 16/GU10.
- Aluminium body in asymmetrical version.
- 230V/50Hz.

Code	Description	Kg
88096	NANO 6 AS 1x50W PAR16 (LED, FLUO) / GU10 40cm	1,100
88097	NANO 6 AS 1x50W PAR16 (LED, FLUO) / GU10 60cm	1,200



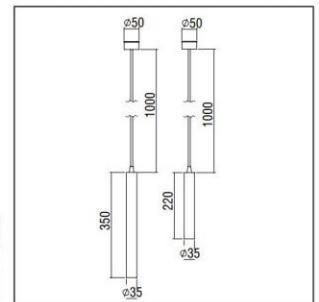
NANO 3 - PENDANT



CE	F	850°C	IP 40
LED	3W	25°C	Included

- Pendant version for LED CHIP.
- Aluminium body.
- 230V/50Hz.

Code	Description	Kg
88050	NANO 3 LED 3W 22cm	0,600
88051	NANO 3 LED 3W 35cm	0,800



NANO

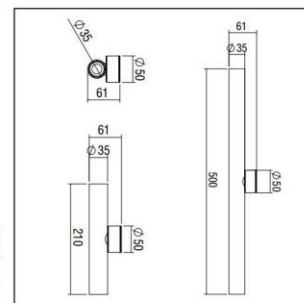
NANO 3 - APPLIQUE



CE	F	850°C	IP 40
LED	LED CHIP	ta 25°C	Included

- Applique version for LED CHIP.
- Aluminium body.
- 230V/50Hz.

Code	Description	Kg
88052	NANO 3 LED APPLIQUE 3W 21cm	0,600
88053	NANO 3 LED APPLIQUE 3W 50cm	0,850



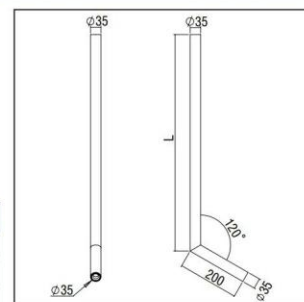
NANO 3 - FLEX



CE	F	850°C	IP 40
LED	LED CHIP	ta 25°C	Included

- Surface flex version for LED CHIP.
- Aluminium body.
- 230V/50Hz.

Code	Description	Kg
88057	NANO 3 LED FLEX 3W 40cm	0,700
88058	NANO 3 LED FLEX 3W 60cm	0,850
88059	NANO 3 LED FLEX 3W 80cm	1,000



LED COLOUR CODES:

2 Warm 3 Neutral

BEAM CODES:

01 spot 02 medium 03 wide

Colour Codes:

0 Colours 1 White 2 Titan 3 Black 4 Chrome 5 matt Alum.

NANO

