

FLOODLIGHTS

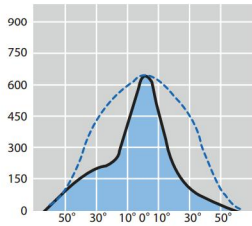
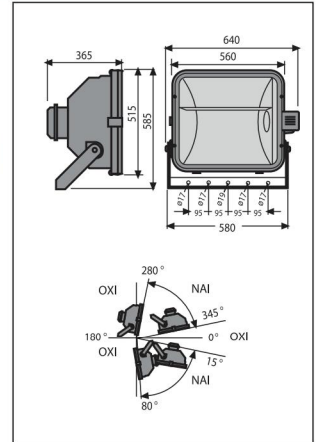
JET 2000

JET 2000 - Symmetrical

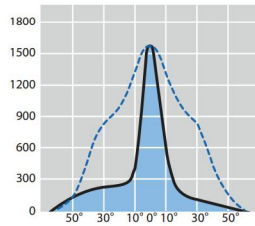


OSRAM: HQI-T/D/I
OSRAM: HQI-T/N/E SUPER
OSRAM: HQI-T/N/SN SUPER
PHILIPS: HPI-T

Code	Description
Wide beam	
FA50602	FLOODLIGHT JET 2000 SYM 50602 E40 (empty)
Narrow beam	
FA50603	FLOODLIGHT JET 2000 SYM 50603 E40 (empty)



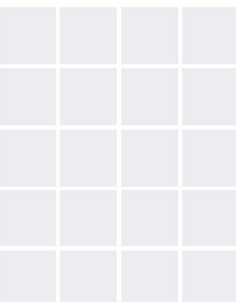
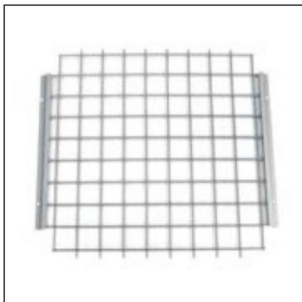
2000W HIT / E40
 JET 2000 Symmetrical Wide beam



2000W HIT / E40
 JET 2000 Symmetrical Narrow beam

OKAY - ACCESSORIES

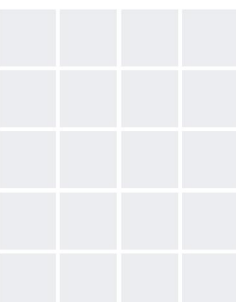
PROTECTION GRILLE



- Steel protection grille. Zinc plated and steel coated in silver colour.

Code	Description	
701307	PROTECTION GRILLE	60050

ADJUSTABLE LOUVRE



- Steel protection louvre. Zinc plated and steel coated in silver colour

Code	Description	
701409	PROTECTION LOUVRE	60051

Description	Type	Conventional ballast and capacitor	
		CODE	
For metal halide lamp			
1x2000W HIT / E40 Osram: HQI-T/D/I	CONTROL GEAR 10,3A (in aluminium base)	701124	
1x2000W HIT / E40 Osram: HQI-T/D/I	CONTROL GEAR 10,3A (in waterproof gear box)	701120	
1x2000W HIT / E40 Osram: HQI-T/N/E SUPER	CONTROL GEAR 8,8A (in aluminium base) + Ignitor 5KV	701121	
1x2000W HIT / E40 Osram: HQI-T/N/E SUPER	CONTROL GEAR 8,8A (in waterproof gear box) + Ignitor 5KV	701117	
1x2000W HIT / E40 Osram: HQI-T/N/SN SUPER	CONTROL GEAR 8,8A (in aluminium base) + Ignitor 1,2 KV	701122	
1x2000W HIT / E40 Philips: HPI-T, Sylvania: HSI-T/S/4K			
1x2000W HIT / E40 Osram: HQI-T/N/SN SUPER	CONTROL GEAR 8,8A (in waterproof gear box) + Ignitor 1,2 KV	701118	
1x2000W HIT / E40 Philips: HPI-T, Sylvania: HSI-T/S/4K			