

LUNA ROUND 175



LUNA ROUND – Quality meets Efficiency

Luna Round is a downlight with high efficiency, which is available in different light sources (TC-D, TC-DEL, HIT-DE, HST-DE, LED).

Luna Round LED: Due to its high system light output, Luna Round LED can replace even a downlight with 2x32W TC-Del lamps. This compact luminaire is ideal for applications where diffuse light is needed. It is available in two colour temperatures, warm and neutral, and it can be dimmable upon request.




Technical Features



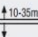
- Outer ring from die-cast aluminium, painted electrostatically in selected colour or plated.
 - Inner body from die-cast aluminium.
 - High pure aluminium reflectors anodized.
 - Crusiform louvre non-iridescent with parabolic blades made of pure aluminium.
 - Protection glass available in silkscreen TRD, sandblast SB or Mistlite.
 - Support to the ceiling with metal plates adjustable in height or with springs for LED version.
 - Lamp placement in horizontal position.
 - Control gear in a separate box or integrated for 1-2/13-26W (TC-DEL).
 - Connection for operation on 230V-50Hz with conventional ballast and power factor correction capacitor (lamp TC-D).
 - Connection for operation on 230V-50/60Hz with electronic ballast (lamps TC-DEL).
 - Connection for operation with electronic dimmable ballast (lamp TC-DEL).
 - Connection for emergency lighting system (lamp TC-DEL).
- Upon request**
- The above luminaire is available for fluorescent compact lamps (E27) max.20W.
- For LED Version**
- Pure light without IR/UV radiation.
 - Die cast aluminum heatsink anodized.
 - Efficient thermal management.
 - Operation life: 50,000 hours with efficiency > 70% of the initial luminous flux.
 - Connection for operation with Constant Current.
- Upon request:**
- Available with highest colour rendering index (CRI)

LUNA ROUND 175

LUNA ROUND 175 FLUO / LUNA ROUND 175 FLUO SV




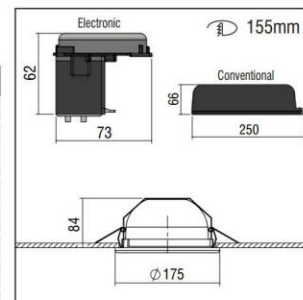
TC-D
OSRAM: DUALUX D
PHILIPS: PL-C

TC-DEL
OSRAM: DUALUX DE
PHILIPS: PL-GHP

Included 


- Version for TC-D, TC-DEL.
- Inner body from die-cast aluminium.


Code	Description	Kg
Conventional Ballast & Capacitor		
465102	1x13W TC-D/G24d-1	1,270
465112	1x18W TC-D/G24d-2	1,270
465122	1x26W TC-D/G24d-3	1,400
465132	2x13W TC-D/G24d-1	1,400
465142	2x18W TC-D/G24d-2	1,400
Electronic Ballast		
465103	1x13W TC-DEL/G24q-1	0,520
465113	1x18W TC-DEL/G24q-2	0,520
465123	1x26W TC-DEL/G24q-3	0,520
465133	2x13W TC-DEL/G24q-1	0,520
465143	2x18W TC-DEL/G24q-2	0,520



LUNA ROUND 175 Ring & Glass







- Outer ring from die-cast aluminium.
- Protection glass available in silkscreen TRD or Mistlite.

Code	Description	Kg
40020	LUNA ROUND RING 175+SILKSCREEN GLASS	0,230
40022	LUNA ROUND RING 175+MISTLITE GLASS	0,230

LUNA ROUND 175 Ring







- Outer ring from die-cast aluminium.

Code	Description	Kg
40023	LUNA ROUND RING 175	0,100

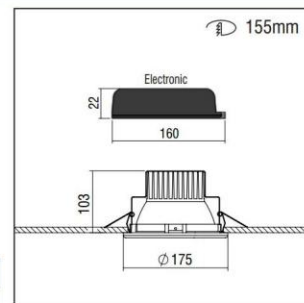
LUNA ROUND 175

LUNA ROUND 175 LED CHIP



CE	F	RoHS	
0°	0°	±10-25mm	
LED	50000 HOURS	ta 25°C	Included
MR			

- Version for LED CHIP.
 - Inner body from die-cast aluminium.
 - Efficiency:
 22W: 4000 K: 2290 Lumen, CRI: min. 75
 22W: 3000 K: 2130 Lumen, CRI: min. 80
 Maximum: 104 Lm/W



Code	Description	Kg
4653-1	LED CHIP 22W	0,830

LUNA ROUND 175 Ring & Cover



CE	F	IP 43

- Outer ring from die-cast aluminium.
 - Sandblast methacrylate PMMA cover.

Code	Description	Kg
40024-	LUNA ROUND RING 175 LED + COVER	0,120

LED COLOUR CODES:

2 Warm 3 Neutral

Colour Codes:

0 Colours 1 White 2 Titan 3 Black 4 Chrome 5 matt Alum.

LUNA ROUND 175

