

CYCLONE

*An opal circular luminaire with a contemporary design.
CYCLONE is a piece of architecture, perfect for adding stature to an area.
With its gentle uniform lighting, it upgrades areas such as lobbies, corridors, offices,
stores and homes.*



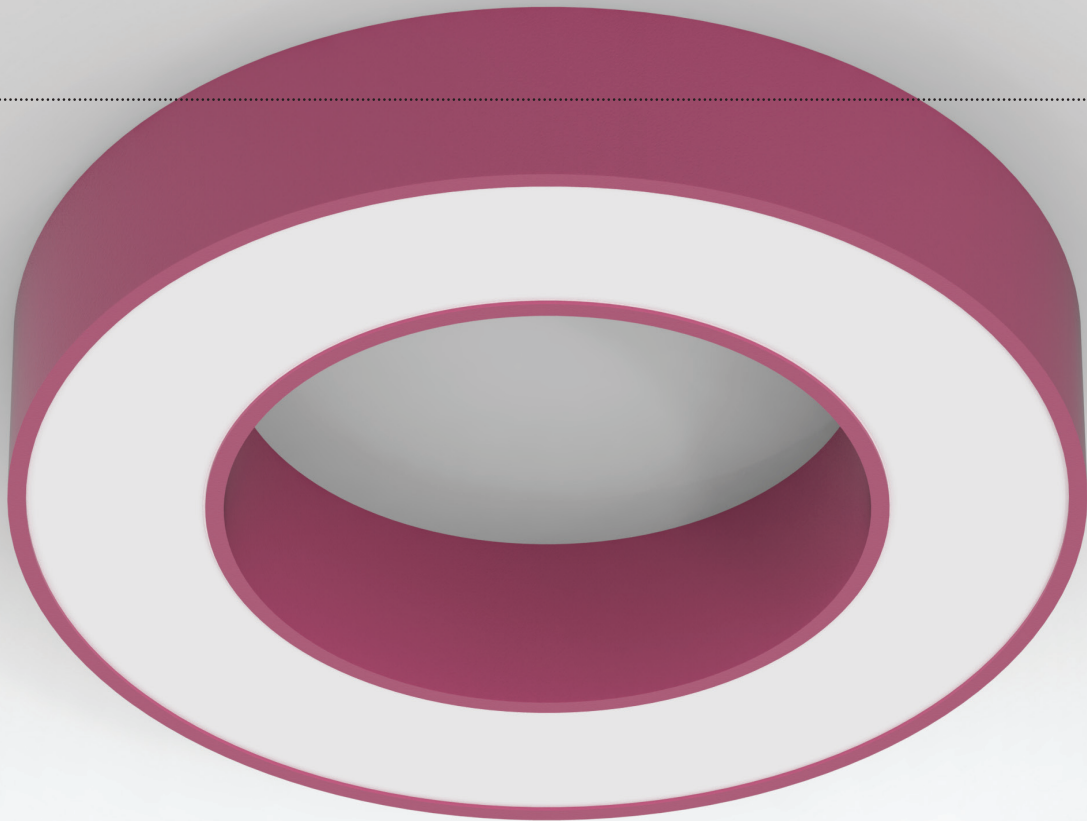
Technical Features

- Aluminium body, painted electrostatically in selected colour.
- High efficient satin cover.
- Direct illumination.
- Pure light without IR/UV radiation.
- Up to 145Lm/W luminous flux range.
- Operation life: 50,000 hours with efficiency > 70% of the initial luminous flux.
- Connection for operation on 230V/50Hz.

Upon Request

- Connection for operation on 230V-50/60Hz with dimmer dali or 1-10VDC ballast.

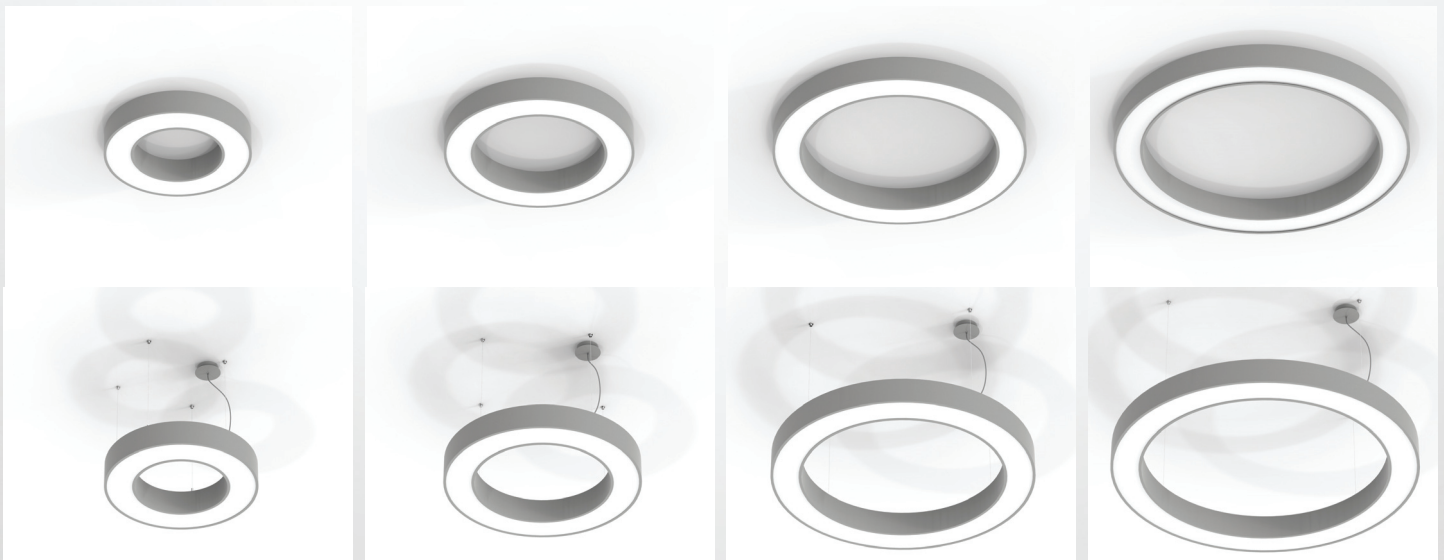
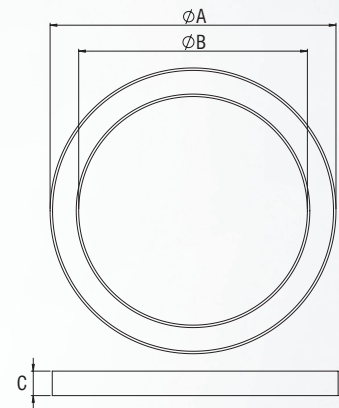
CYCLONE



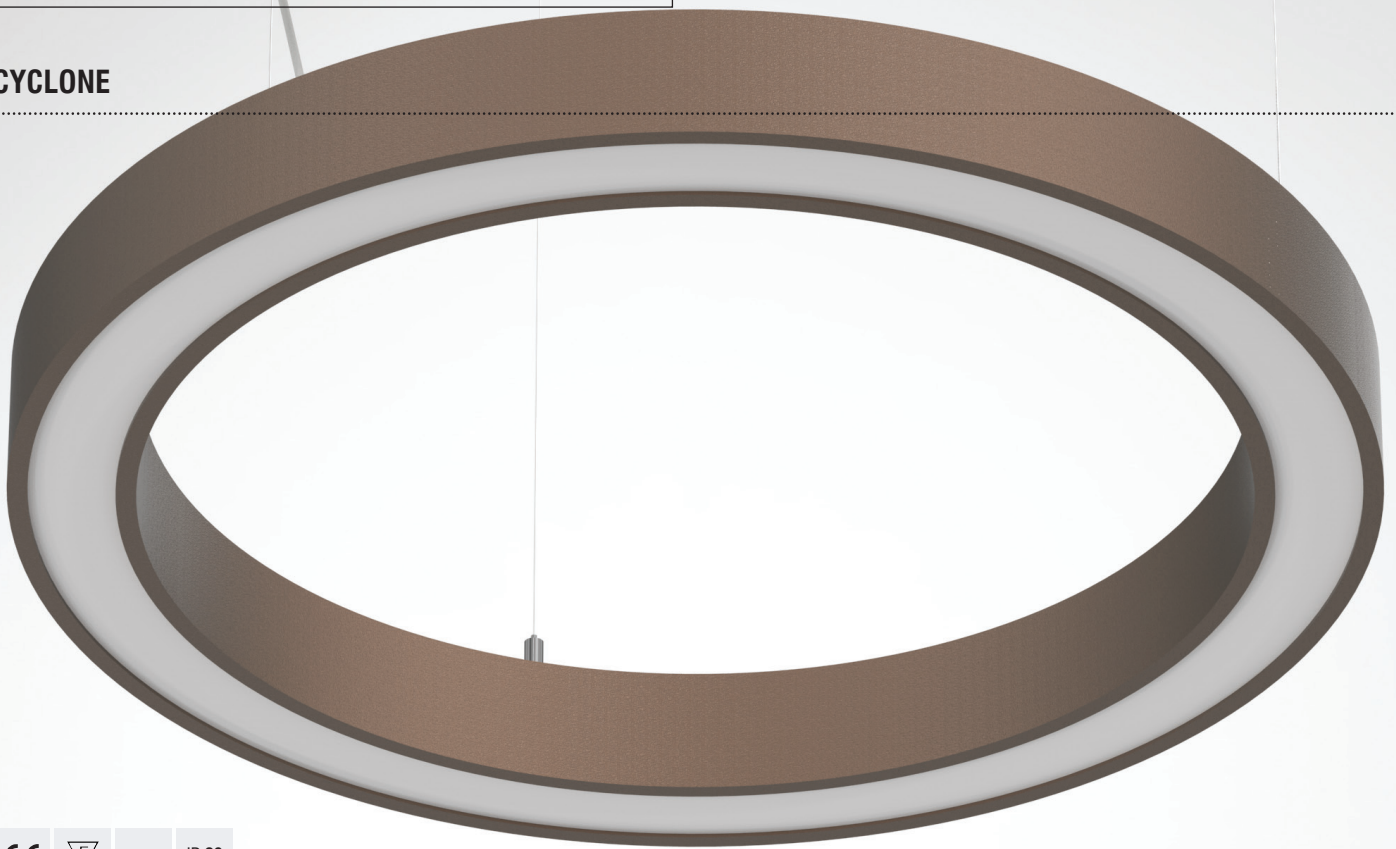
CE	F	IP 20
LED	ta 25°C	350mA

- Aluminium body, painted electrostatically in selected colour.
- High efficient satin cover.
- Up to 145Lm/W luminous flux range.

Code	Description	Dimensions mm		
		ØA	ØB	C
8241012	Cyclone 1 40W Warm	700	420	120
8241013	Cyclone 1 40W Neutral	700	420	120
8241022	Cyclone 2 53W Warm	900	620	120
8241023	Cyclone 2 53W Neutral	900	620	120
8241032	Cyclone 3 70W Warm	1200	920	120
8241033	Cyclone 3 70W Neutral	1200	920	120
8241042	Cyclone 4 85W Warm	1400	1120	120
8241043	Cyclone 4 85W Neutral	1400	1120	120

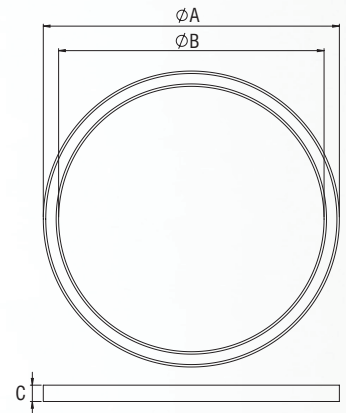


CYCLONE



CE	F	IP 20
LED	350mA	ta 25°C

- Aluminium body, painted electrostatically in selected colour.
- High efficient satin cover.
- Up to 145Lm/W luminous flux range.



Code	Description	Dimensions mm		
		ØA	ØB	C
8241052	Cyclone Slim 1 35W Warm	600	450	80
8241053	Cyclone Slim 1 35W Neutral	600	450	80
8241062	Cyclone Slim 2 45W Warm	800	650	80
8241063	Cyclone Slim 2 45W Neutral	800	650	80
8241072	Cyclone Slim 3 70W Warm	1100	950	80
8241073	Cyclone Slim 3 70W Neutral	1100	950	80
8241082	Cyclone Slim 4 90W Warm	1450	1300	80
8241083	Cyclone Slim 4 90W Neutral	1450	1300	80





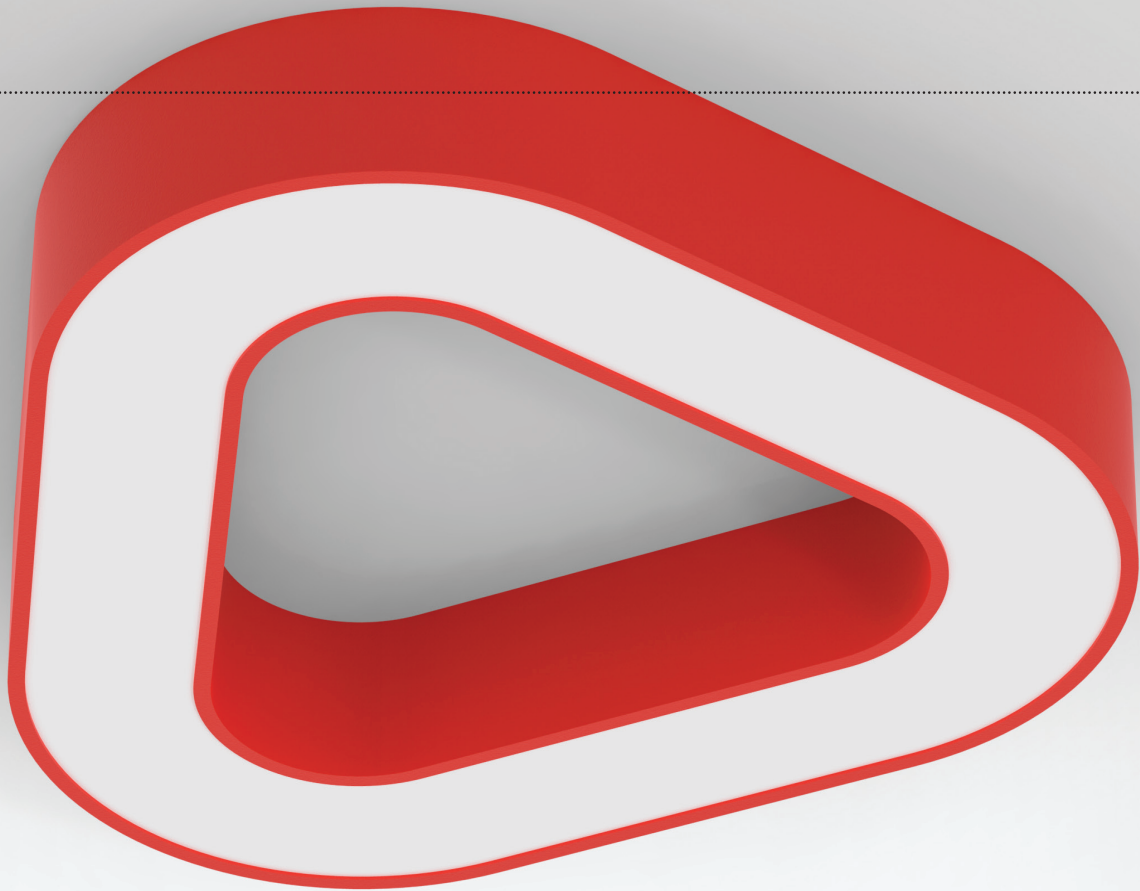


o stress café

you
always
have a
choice

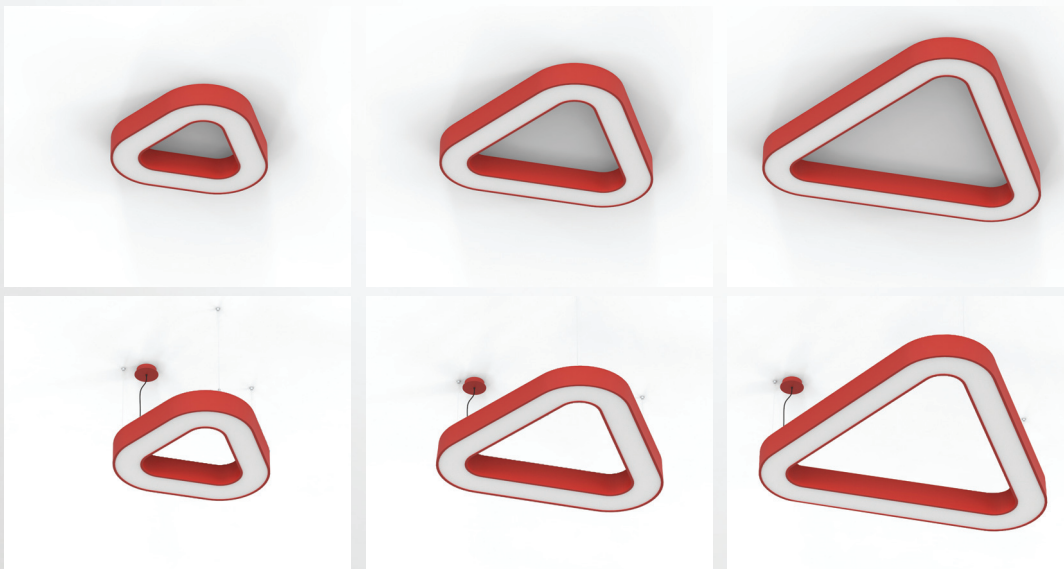
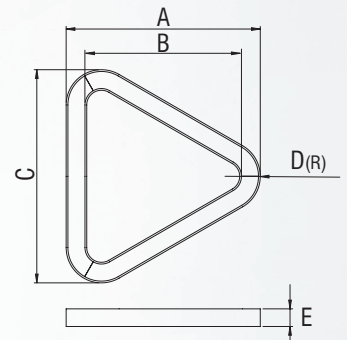


CYCLONE



- Aluminium body, painted electrostatically in selected colour.
- High efficient satin cover.
- Up to 145Lm/W luminous flux range.

Code	Description	Dimensions mm				
		A	B	C	D(R)	E
8241172	Cyclone 1 TR 50W Warm	760	480	800	240	120
8241173	Cyclone 1 TR 50W Neutral	760	480	800	240	120
8241182	Cyclone 2 TR 70W Warm	1020	740	1100	240	120
8241183	Cyclone 2 TR 70W Neutral	1020	740	1100	240	120
8241192	Cyclone 3 TR 90W Warm	1320	1040	1450	240	120
8241193	Cyclone 3 TR 90W Neutral	1320	1040	1450	240	120



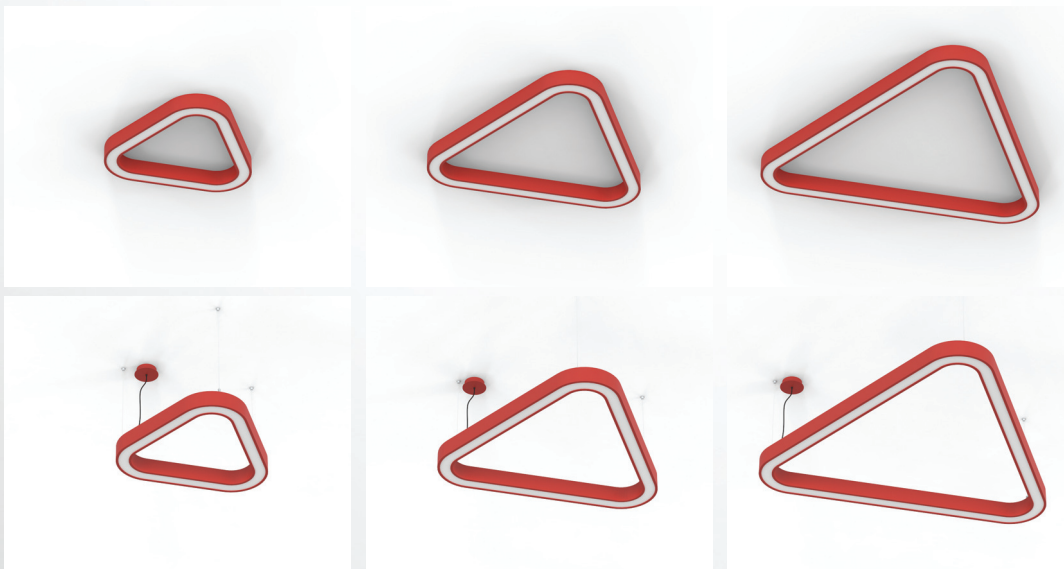
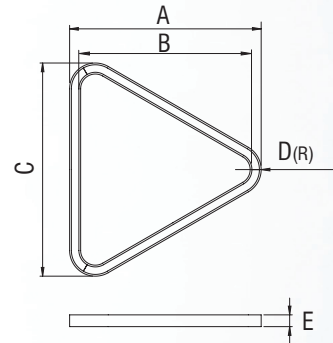
CYCLONE



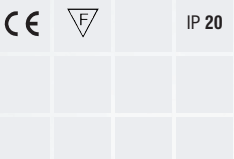
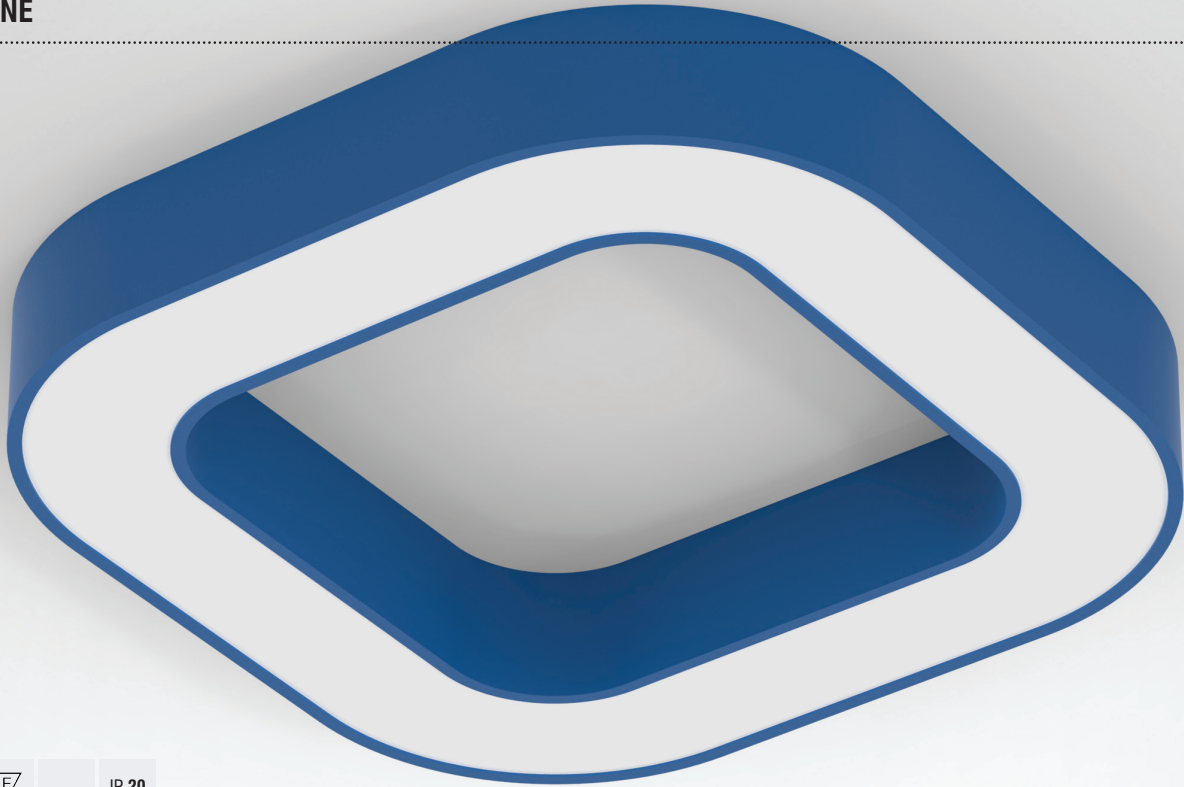
CE	F	IP 20
LED	ta 25°C	350mA

- Aluminium body, painted electrostatically in selected colour.
- High efficient satin cover.
- Up to 145Lm/W luminous flux range.

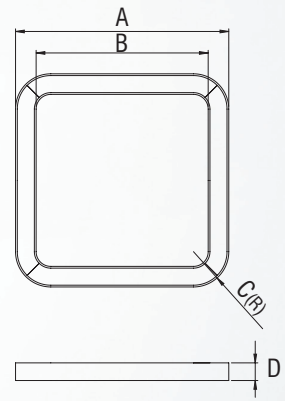
Code	Description	Dimensions mm				
		A	B	C	D(R)	E
8241202	Cyclone Slim 1 TR 45W Warm	700	550	750	175	80
8241203	Cyclone Slim 1 TR 45W Neutral	700	550	750	175	80
8241212	Cyclone Slim 2 TR 70W Warm	1000	850	1100	175	80
8241213	Cyclone Slim 2 TR 70W Neutral	1000	850	1100	175	80
8241222	Cyclone Slim 3 TR 90W Warm	1300	1150	1450	175	80
8241223	Cyclone Slim 3 TR 90W Neutral	1300	1150 <td 1450	175	80	



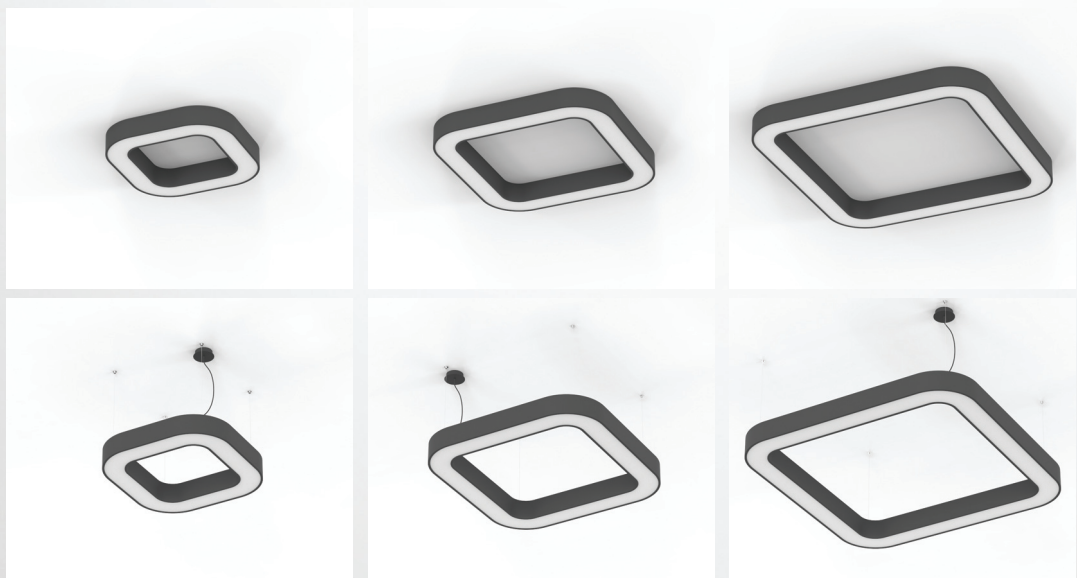
CYCLONE



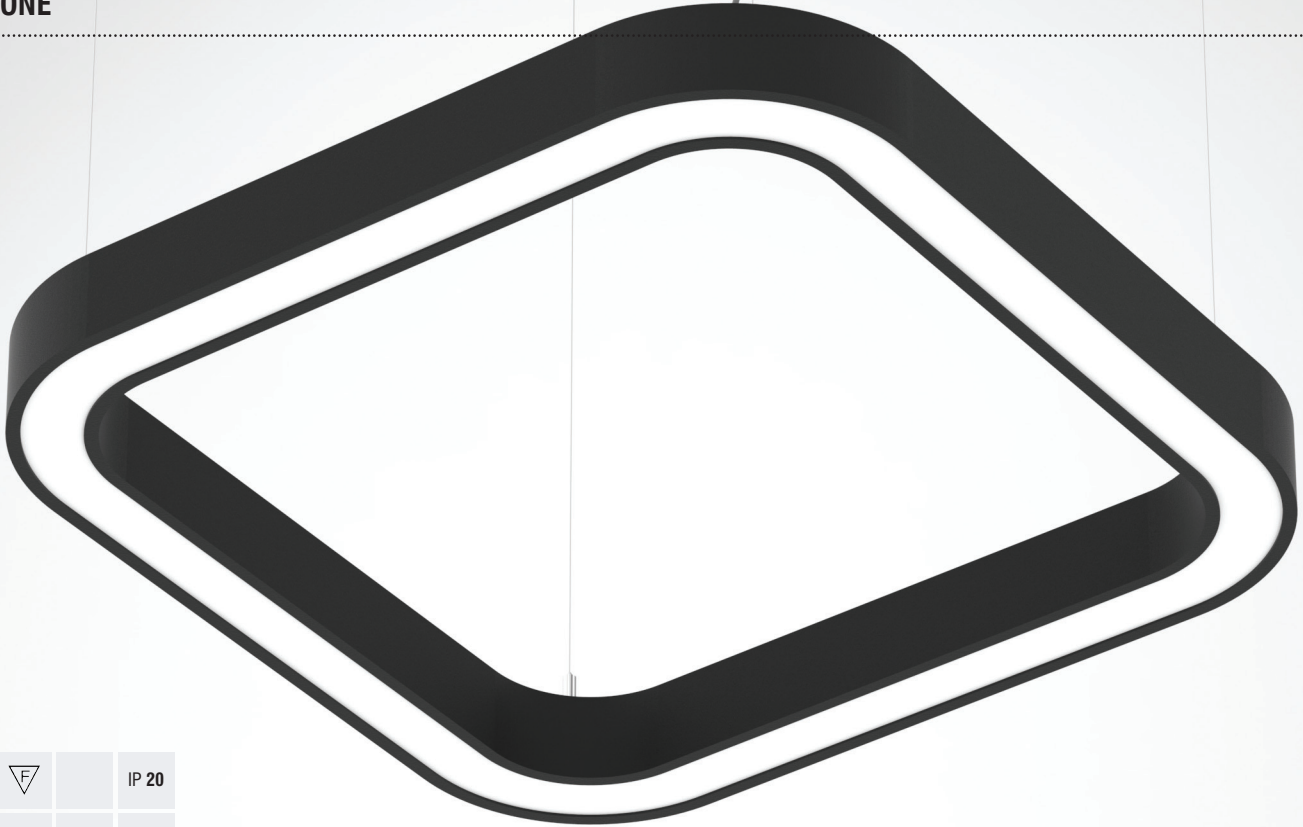
- Aluminium body, painted electrostatically in selected colour.
- High efficient satin cover.
- Up to 145Lm/W luminous flux range.



Code	Description	Dimensions mm			
		A	B	C(R)	D
8241232	Cyclone 1 SQ 55W Warm	800	520	240	120
8241233	Cyclone 1 SQ 55W Neutral	800	520	240	120
8241242	Cyclone 2 SQ 80W Warm	1100	820	240	120
8241243	Cyclone 2 SQ 80W Neutral	1100	820	240	120
8241252	Cyclone 3 SQ 105W Warm	1450	1170	240	120
8241253	Cyclone 3 SQ 105W Neutral	1450	1170	240	120



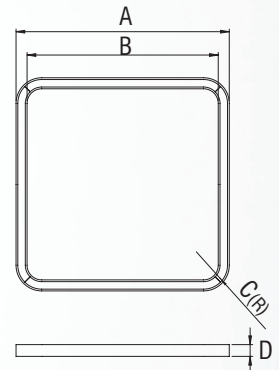
CYCLONE



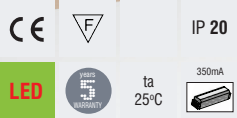
CE	F	IP 20
LED	25°C	350mA

- Aluminium body, painted electrostatically in selected colour.
- High efficient satin cover.
- Up to 145Lm/W luminous flux range.

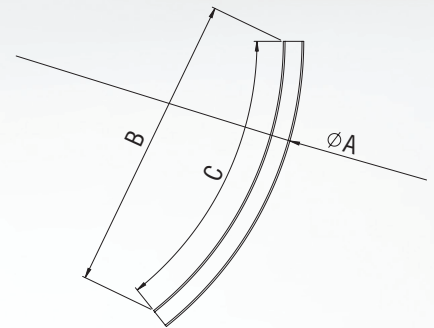
Code	Description	Dimensions mm			
		A	B	C(R)	D
8241262	Cyclone Slim 1 SQ 65W Warm	850	700	175	80
8241263	Cyclone Slim 1 SQ 65W Neutral	850	700	175	80
8241272	Cyclone Slim 2 SQ 90W Warm	1150	1000	175	80
8241273	Cyclone Slim 2 SQ 90W Neutral	1150	1000	175	80
8241282	Cyclone Slim 3 SQ 115W Warm	1450	1300	175	80
8241283	Cyclone Slim 3 SQ 115W Neutral	1450	1300	175	80



CYCLONE



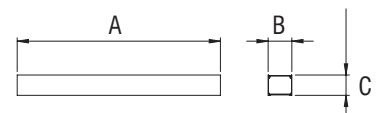
- Aluminium body, painted electrostatically in selected colour.
- High efficient satin cover.
- Up to 145Lm/W luminous flux range.



Code	Description	Dimensions mm		
		ØA	B	C ⁽¹⁾
8241292	Cyclone 5 Part 43W Warm	2000 - 1720	1700	120
8241293	Cyclone 5 Part 43W Neutral	2000 - 1720	1700	120
8241302	Cyclone 6 Part 40W Warm	3000 - 2720	1600	72
8241303	Cyclone 6 Part 40W Neutral	3000 - 2720	1600	72
8241312	Cyclone 7 Part 40W Warm	4000 - 3720	1735	51
8241313	Cyclone 7 Part 40W Neutral	4000 - 3720	1735	51
8241322	Cyclone 8 Part 50W Warm	5000 - 4720	2050	51
8241323	Cyclone 8 Part 50W Neutral	5000 - 4720	2050	51



- Aluminium body, painted electrostatically in selected colour.
- High efficient satin cover.
- Up to 145Lm/W luminous flux range.



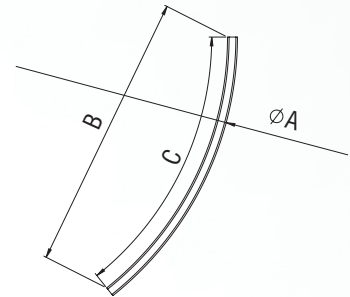
Code	Description	Dimensions mm		
		A	B	C
8241332	Cyclone 9 Part 25W Warm	1200	140	120
8241333	Cyclone 9 Part 25W Neutral	1200	140	120
8241342	Cyclone 10 Part 13W Warm	600	140	120
8241343	Cyclone 10 Part 13W Neutral	600	140	120
8241352	Cyclone 11 Part 7W Warm	300	140	120
8241353	Cyclone 11 Part 7W Neutral	300	140	120

CYCLONE



- Aluminium body, painted electrostatically in selected colour.
- High efficient satin cover.
- Up to 145Lm/W luminous flux range.

Code	Description	Dimensions mm		
		∅A	B	C ^(a)
8241362	Cyclone Slim 5 Part 45W Warm	2000 - 1850	1700	120
8241363	Cyclone Slim 5 Part 45W Neutral	2000 - 1850	1700	120
8241372	Cyclone Slim 6 Part 40W Warm	3000 - 2850	1675	72
8241373	Cyclone Slim 6 Part 40W Neutral	3000 - 2850	1675	72
8241382	Cyclone Slim 7 Part 40W Warm	4000 - 3850	1670	51
8241383	Cyclone Slim 7 Part 40W Neutral	4000 - 3850	1670	51
8241392	Cyclone Slim 8 Part 48W Warm	5000 - 4850	2100	51
8241393	Cyclone Slim 8 Part 48W Neutral	5000 - 4850	2100	51



- Aluminium body, painted electrostatically in selected colour.
- High efficient satin cover.
- Up to 145Lm/W luminous flux range.

Code	Description	Dimensions mm		
		A	B	C
8241402	Cyclone Slim 9 Part 25W Warm	1200	75	80
8241403	Cyclone Slim 9 Part 25W Neutral	1200	75	80
8241412	Cyclone Slim 10 Part 13W Warm	600	75	80
8241413	Cyclone Slim 10 Part 13W Neutral	600	75	80
8241422	Cyclone Slim 11 Part 7W Warm	300	75	80
8241423	Cyclone Slim 11 Part 7W Neutral	300	75	80

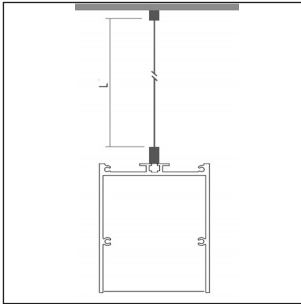






CYCLONE ACCESSORIES

SINGLE ADJUSTABLE SUSPENSION

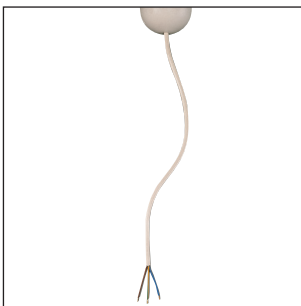


CE

- Stainless steel cable and regulators.
- **Required:**
3 pieces for each luminaire.

Code	Description	L	Kg
900111	Single Suspension	500	0,050
900112	Single Suspension	1000	0,100
900113	Single Suspension	1500	0,150
900114	Single Suspension	2000	0,200
900116	Single Suspension	3000	0,300

POWER SUPPLY



CE

- For pendant use.
- Plastic body.
- With transparent cable 3x0,75mm².
- Round version.

Code	Description	L	Kg
900121	Power Supply with Rosette Ø75	500	0,060
900122	Power Supply with Rosette Ø75	1000	0,120
900123	Power Supply with Rosette Ø75	1500	0,180
900124	Power Supply with Rosette Ø75	2000	0,240
900126	Power Supply with Rosette Ø75	3000	0,360

POWER SUPPLY



CE

- For pendant use.
- Body from aluminium profile.
- With 2m transparent cable 3x0,75mm².
- Square or round version.

Code	Description	Kg
90042	Power Supply L 2m with Rosette Ø80	0,130
90043	Power Supply L 2m with Rosette Ø70	0,130
90044	Power Supply L 2m with Rosette 80x80	0,210
90045	Power Supply L 2m with Rosette 70x70	0,200



Colour Codes:

- 0 Colours 1 White 2 Titan 3 Black

